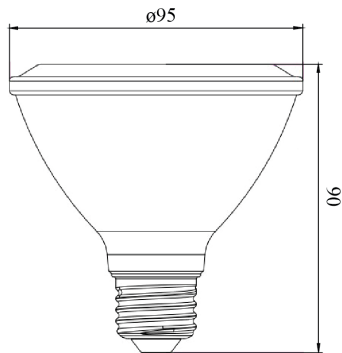




PAR30

POTÊNCIA	LUMENS
8,5W	900lm



INFORMAÇÕES TÉCNICAS

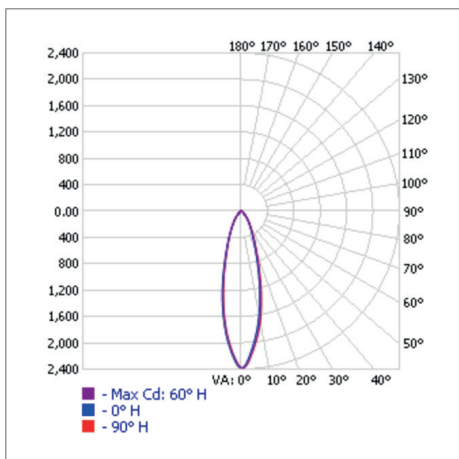
TENSÃO	100-240 V
IRC	> 80
VIDA ÚTIL	25.000 h
FREQUÊNCIA	50/60 Hz
CORRENTE ELÉTRICA*	74 mA / 45 mA
FATOR DE POTÊNCIA	≥ 0,7
TEMPERATURA DE OPERAÇÃO	-20°C A 40°C
PROTEÇÃO	IP 20
GARANTIA	2 ANOS
TEMPERATURA DE COR	6.500K
ÂNGULO DE ABERTURA	25°
INTENSIDADE LUMINOSA	2250 cd
DIMENSÕES DA LÂMPADA (DXA)	95 x 90mm
PESO DO PRODUTO	90g

INFORMAÇÕES LOGÍSTICAS

REF. COMERCIAL	B07029
SKU	301559
CÓD. DE BARRAS	7908124301559
CÓD. CAIXA INNER	17908124301556
QTD. PÇS CAIXA INNER	10
CÓD. CAIXA MASTER (UPC)	843822101131
QTD. PÇS CAIXA MASTER	40
DIMENSÕES PROD. (CXLXA)	99 x 99 x 100mm
PESO	0,138 kg
DIMENSÕES INNER (CXLXA)	515 x 210 x 115mm
PESO	1,564 kg
DIMENSÕES UPC (CXLXA)	530 x 435 x 260mm
PESO	7,750 kg
NCM	8539.50.00

Embalagem Individual Caixa Inner Caixa Master

CURVA DE DISTRIBUIÇÃO LUMINOSA



FATOR DE UTILIZAÇÃO

REFLETÂNCIA DE SUPERFÍCIE (PISO): 20%

RCC %:	80				70				50				30				10				0			
RW %:	70	50	30	0	70	50	30	0	50	30	20	0	50	30	20	0	50	30	20	0	50	30	20	0
0	1.19	1.19	1.19	1.19	1.16	1.16	1.16	.98	1.10	1.10	1.10	1.05	1.05	1.05	1.05	1.01	1.01	1.01	1.01	.98	1.01	1.01	1.01	.98
1	1.13	1.10	1.07	1.04	1.10	1.07	1.05	.91	1.03	1.01	.99	.99	.97	.96	.95	.94	.94	.93	.93	.91	.95	.94	.93	.91
2	1.07	1.02	.97	.94	1.04	1.00	.96	.85	.96	.93	.90	.93	.90	.88	.90	.88	.86	.86	.86	.84	.90	.88	.86	.84
3	1.01	.95	.90	.86	.99	.93	.89	.80	.90	.86	.83	.88	.84	.82	.85	.83	.80	.80	.79	.79	.85	.83	.80	.79
4	.96	.89	.83	.79	.95	.88	.82	.75	.85	.81	.77	.83	.79	.76	.81	.78	.75	.74	.75	.74	.81	.78	.75	.74
5	.92	.84	.78	.73	.90	.83	.77	.70	.81	.76	.72	.79	.75	.71	.77	.74	.71	.69	.71	.69	.77	.74	.71	.69
6	.88	.79	.73	.69	.86	.78	.73	.66	.76	.72	.68	.75	.71	.67	.73	.70	.67	.65	.67	.65	.73	.70	.67	.65
7	.84	.75	.69	.65	.82	.74	.69	.63	.73	.68	.64	.71	.67	.64	.70	.66	.63	.62	.66	.62	.70	.66	.63	.62
8	.80	.71	.65	.61	.79	.71	.65	.60	.69	.64	.61	.68	.64	.61	.67	.63	.60	.59	.66	.60	.67	.63	.60	.59
9	.77	.68	.62	.58	.76	.67	.62	.57	.66	.61	.58	.65	.61	.58	.64	.60	.57	.56	.64	.57	.64	.60	.57	.56
10	.74	.65	.59	.56	.73	.64	.59	.55	.63	.59	.55	.63	.58	.55	.62	.58	.55	.54	.62	.55	.62	.58	.55	.54

ILUMINÂNCIA À DISTÂNCIA

ALTURA	ILUMINÂNCIA
1 METRO	2,374.20 LUX
2 METROS	593.55 LUX
3 METROS	263.80 LUX
4 METROS	148.39 LUX
5 METROS	94.97 LUX
6 METROS	65.95 LUX

1 Produto certificado, adequado à portaria Inmetro Etiqueta ENCE para lâmpadas LED segundo portaria Inmetro N°144/2015. Este SKU pode possuir outro registro ativo, consequentemente, outra etiqueta ENCE Inmetro diferente exposta.

Fabricado em alumínio, polímero sintético.
* Os dados da corrente elétrica correspondem respectivamente as tensões 127V e 220V.